

# Interconnect Solutions for the Aerospace, Avionics and Commercial Electronics Industries



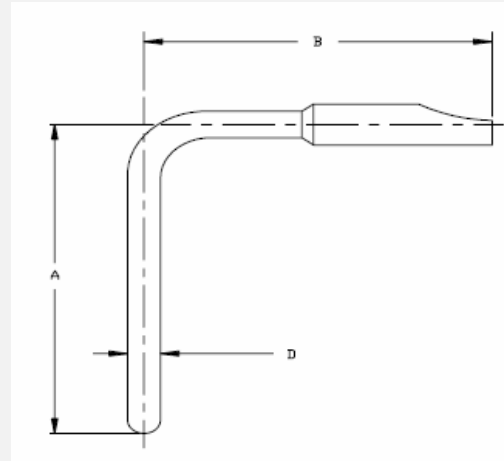
1349 E. University Drive, Tempe, Arizona 85281 Phone: (480) 633-2382 Fax: (480) 633-2387

## Product: ThruHole Profile Pins

**Purpose:** Convert horizontal rigid lead terminations to vertical PCB thruhole configuration

**Features:**

- Order any combination of horizontal and vertical length
- Horizontal/vertical increments of .025" (.064mm)
- Maximum overall length of 1.5" (38.10mm)



### Technical Data

**Materials:**

- Copper
- Beryllium Copper
- Brass
- Leaded Nickel Copper Alloy

**Electrical Performance:**

- Contact resistance: 15 mΩ max
- Withstanding voltage: 1000 VAC rms
- Current rating: .040 Dia: 4.5A  
.030 Dia: 3.0A

**Plating:**

- Undercoat: Nickel per QQ-N-290
- Finish: Tin per QQ-S-571

**Environmental:**

- Operating temperature range -40 to +125°C

**Series AZP90SC**

**Ordering data**

Dash Number	Dim A ±.005	Dim B ±.005	Dia D * ±.003	Dash Number	Dim A ±.005	Dim B ±.005	Dia D * ±.003
-101	.275	.250	.040	-210	.275	.250	.030
-102	.270	.250	.040	-211			.030
-103	.300	.250	.040	-212			.030
-104	.325	.260	.040	-213			.030
-105	.350	.250	.040	-214			.030
-106	.375	.275	.040	-215			.030
-107	.410	.300	.040	-216			.030
-108	.425	.460	.040	-217			.030
-109			.040	-218			.030